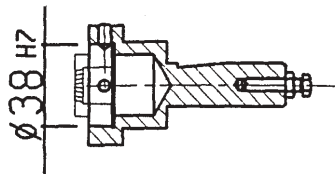
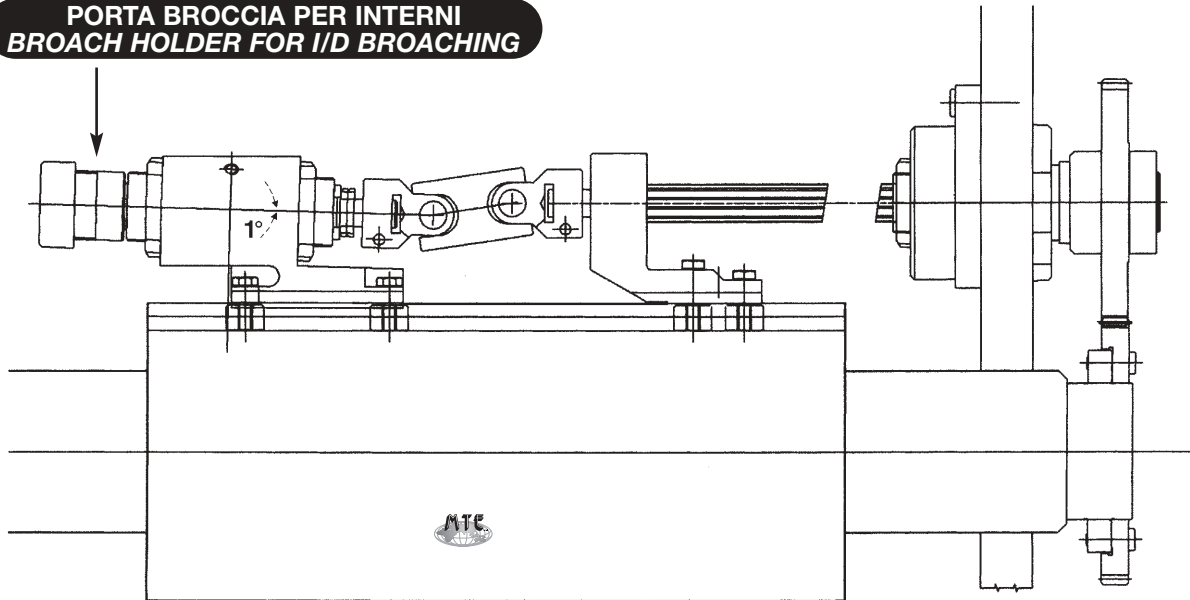


**PORTA BROCCIA PER INTERNI
BROACH HOLDER FOR I/D BROACHING**



**PORTA BROCCIA PER ESTERNI
BROACH HOLDER FOR O/D BROACHING**

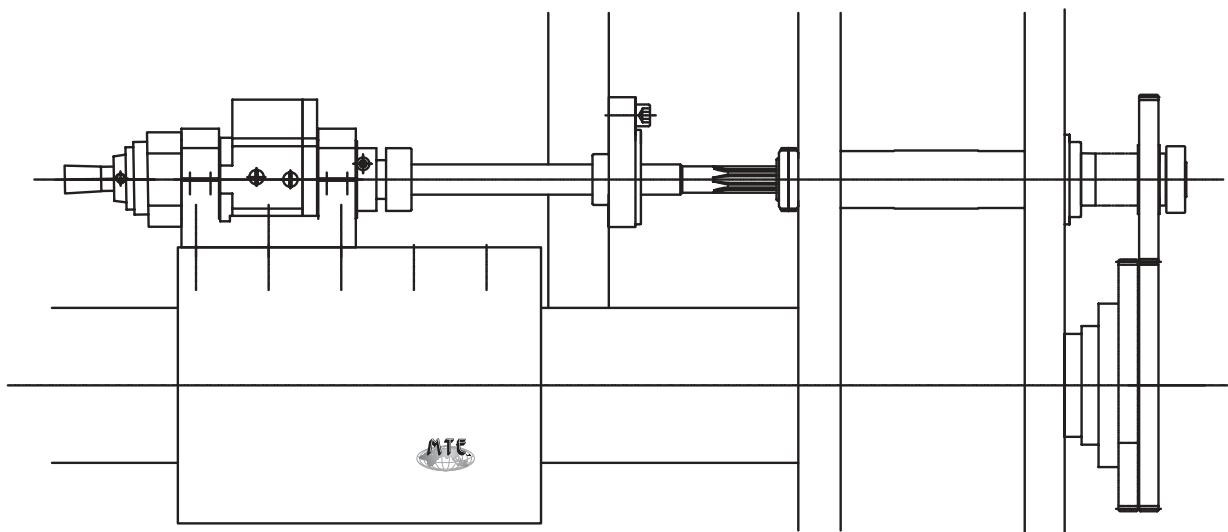


TABELLA PAGINA SEGUENTE
TABLE NEXT PAGE

A RICHIESTA PER ALTRI TIPI DI MACCHINA - ON REQUEST FOR OTHER TYPES OF MACHINE

A RICHIESTA ALTRE ATTREZZATURE/FURTHER EQUIPMENTS ON REQUEST

ARTICOLO ARTICLE	MACCHINA MACHINE
---------------------	---------------------

WICKMAN

197.10.00	5/8"
197.17.00	7/8" - 5 M
197.19.00	1" 3/4 - 5 M
197.20.00	1"
197.29.00	32 - 8
197.30.00	1" 3/4-3/8
197.38.00	1" 3/8 - 5 M
197.40.00	2" 1/4
197.41.00	2" 5/8
197.50.00	3" 1/2
197.58.00	3" 1/4

GILDEMEISTER

197.09.00	AS 12
197.11.00	AS 16 - GM 16
197.15.00	AS 20 - GS 20 - GM 20
197.18.00	AS 22 - AS 25
197.27.00	AA 32
197.31.00	AS 32
197.32.00	AS 40 - AS 48
197.36.00	AA 48
197.44.00	AS 55 - 67
197.47.00	GM 35 - GM 42
197.51.00	AA 67
197.56.00	GM 32
197.63.00	AS 63
197.69.00	GS 50 - 51
197.70.00	GM 26
197.82.00	AS 82
197.83.00	AS 100

MORI SAY - EUROTURN

197.14.00	6/20
197.24.00	6/25 - 6/32
197.28.00	6/42
197.53.00	8/32
197.67.00	8/42

INDEX

197.13.00	MS 25
197.34.00	KS 25
197.35.00	KS 42
197.60.00	KS 18
197.61.00	KS 32
197.62.00	KS 50

ARTICOLO ARTICLE	MACCHINA MACHINE
---------------------	---------------------

SCHÜTTE

197.08.00	SF 13
197.21.00	SE 16 - SF 20
197.22.00	SE 25
197.23.00	SF 40 - SF 42
197.33.00	SD 25 - SD 32
197.42.00	SD 50
197.43.00	SD 63 - SD 80
197.46.00	SF 26 - SF 32
197.48.00	AD 40
197.49.00	SF 51
197.54.00	SF 67
197.55.00	SF 26 L
197.73.00	AG 20
197.81.00	SF 81
197.84.00	AF 42/51
197.85.00	AF 26/32

PITTLER

197.25.00	PRB 8/25
197.26.00	PRB 8/32 - PRC 6/32
197.37.00	DAM 6/50
197.39.00	DAM 8/32
197.45.00	PRB 6/50 - PRC 6/50
197.52.00	PRB 36/6
197.64.00	PRC 36/6
197.65.00	DAM 6/32
197.71.00	PRC 100/4-72/6-50/8

BSA

197.59.00	2"
197.68.00	2" 1/4

ACME GRIDLEY

197.12.00	16 m/m
197.57.00	1" 1/4 - 6 M
197.74.00	1" 5/8

TOS / AN

197.88.00	6/25 A
197.89.00	6/40 A
197.90.00	6/63 A

NEW BRITAIN

197.91.00	52
197.96.00	62